

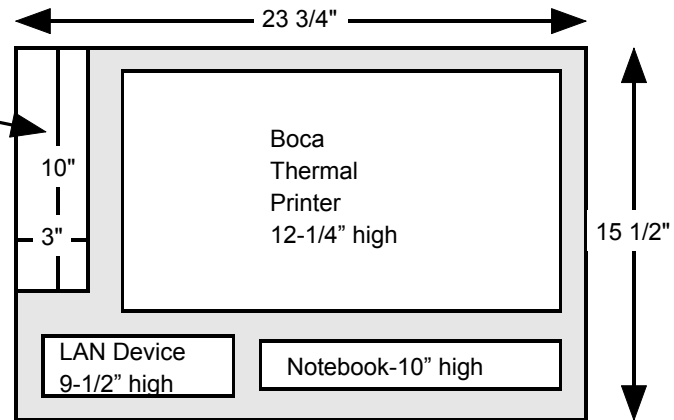


CORPORATE HEADQUARTERS
 Star Case Manufacturing Co., Inc.
 648 Superior - Munster, IN. 46321
 (219)-922-4440 Fax:(219)-922-4442
 Outside Indiana (800) 822-STAR
 Inside Indiana (800) 782-CASE
 Web: www.starcase.com
 Email: starcase@starcase.com

Custom Case proposal for: _____
 Proposed by: _____
 Date: _____

INTERIOR VIEW LOOKING DOWN INTO CASE

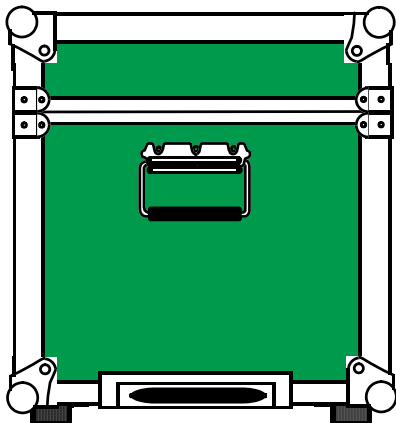
Accessory Space
16" high



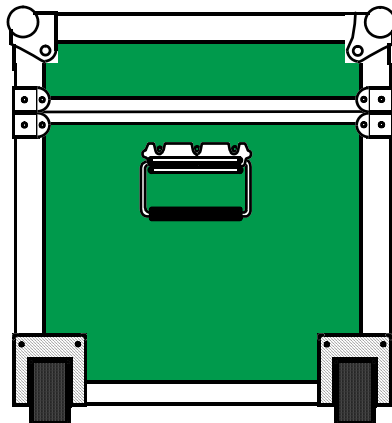
overall case height with
 case cart option-16-1/2"
 without case cart option-14-1/4"

PROPRIETARY MATERIAL
DO NOT COPY, DUPLICATE OR REPRINT
 This drawing and the design depicted, remains the property of STAR CASE MANUFACTURING CO., INC. and may not be used for any purpose without the express written permission from STAR CASE MANUFACTURING CO., INC.

RIGHT SIDE VIEW



LEFT SIDE VIEW



FRONT VIEW WITH HANDLE EXTENDED

